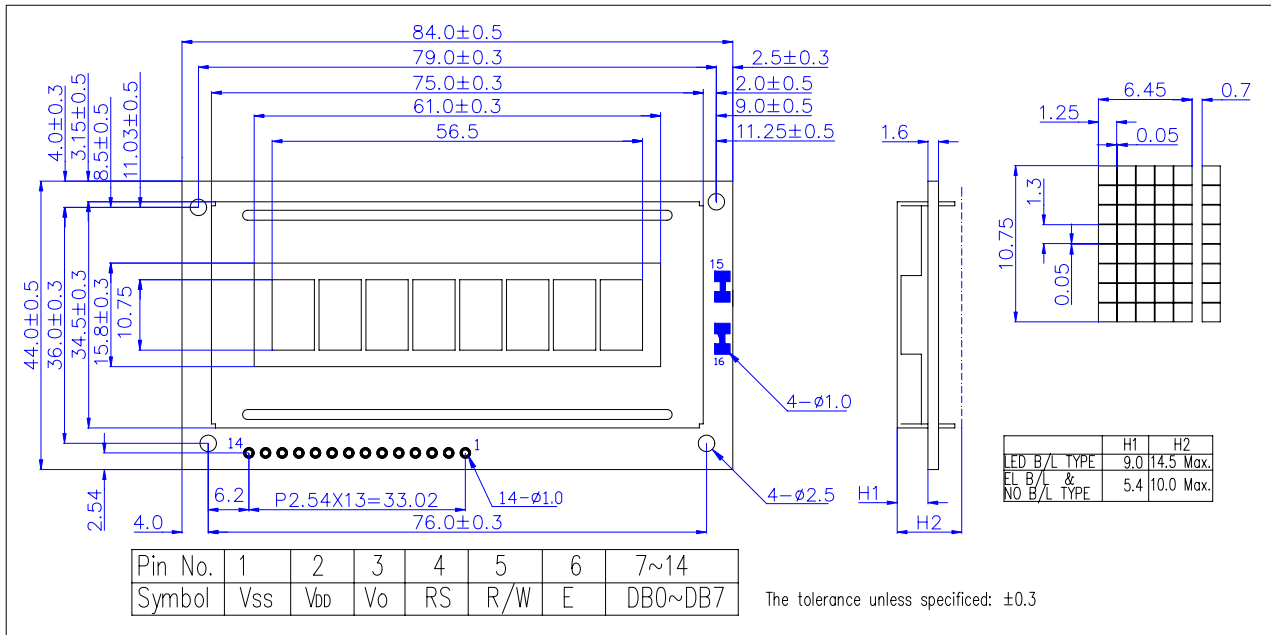
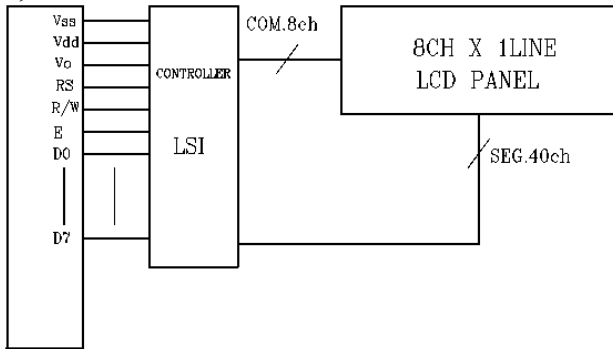


## 1, OUTLINE DRAWING



## 2, BLOCK DIAGRAM



## 3, DISPLAY CHARACTERISTICS

LCD Display mode	STN-Transflective-Positive-Y/G
Driving method	1/8duty, 1/4 bias
Backlight	LED Bottom Y/G

## 4, ELECTRICAL CHARACTERISTICS

Item	Symbol	Min.	Typ.	Max.
Logic Power Supply Voltage(V)	VDD		5.0	
Input Voltage(V)	Vih	0.7VDD		VDD
Output Voltage(V)	Vil	0		0.3VDD
LCD Driving Voltage(V)	Vlcd		5.0	

## 5, TERMINAL FUNCTIONS

Pin	Name	Level	Functions
1	VSS	-	Power supply (GND)
2	VDD	-	Power supply
3	Vo	-	Power supply for LCD
4	RS	H/L	Data/Command
5	R/W	L	Read/Write
6	E	L	Enable signal
7-14	D0-D7	H/L	Data bus

## 6, BACKLIGHT CHARACTERISTICS

Item	Symbol	Min.	Typ.	Max.	Condition
Forward Voltage (V)	Vf		4.1	4.6	If=100mA
Luminous (cd/m <sup>2</sup> )	IV		TBD		
Color			Yellow-Green		