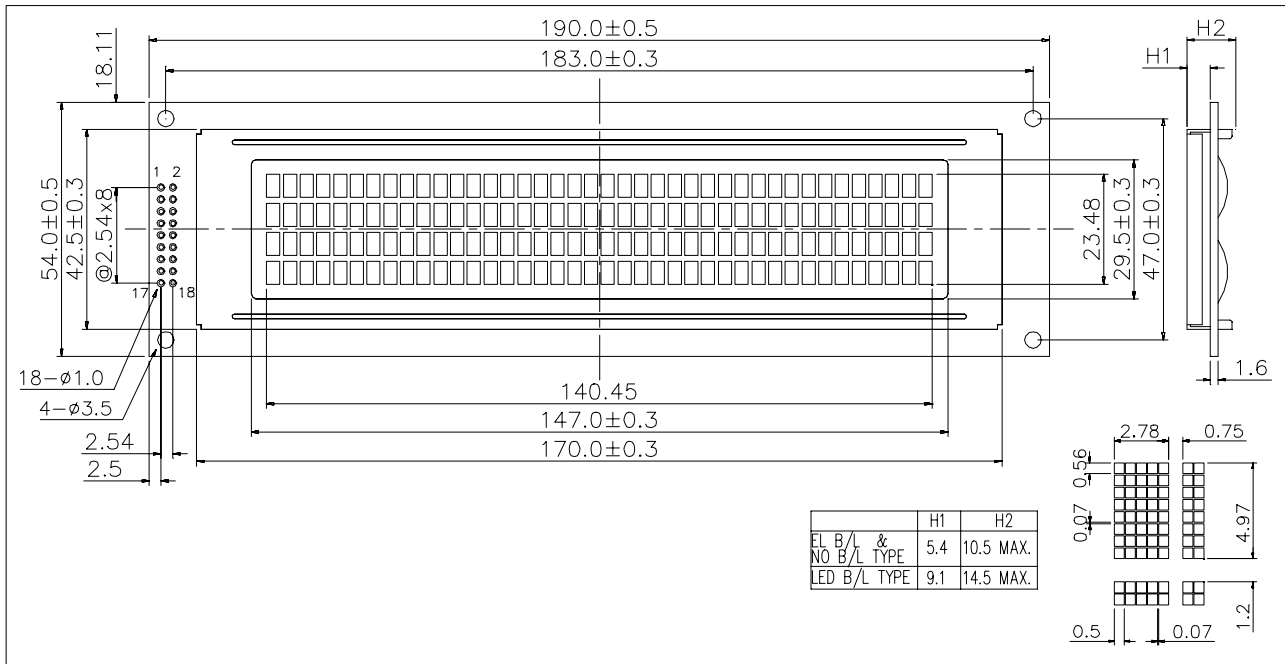
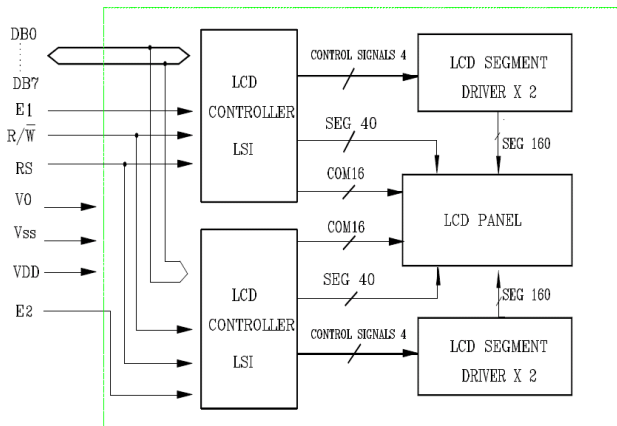


1, OUTLINE DRAWING



2, BLOCK DIAGRAM



3, DISPLAY CHARACTERISTICS

LCD Display mode	STN-Transflective-Positive-Y/G
Driving method	1/16duty, 1/5 bias
Backlight	LED

4, ELECTRICAL CHARACTERISTICS

Item	Symbol	Min.	Typ.	Max.
Logic Power Supply Voltage(V)	VDD		5.0	
Input Voltage(V)	Vih	0.7VDD		VDD
Output Voltage(V)	Vil	0		0.3VDD
LCD Driving Voltage(V)	Vlcd		5.0	

5, TERMINAL FUNCTIONS

Pin	Name	Level	Functions
1	DB7	H/L	Data bus
2	DB6	H/L	Data bus
3	DB5	H/L	Data bus
4	DB4	H/L	Data bus
5	DB3	H/L	Data bus
6	DB2	H/L	Data bus
7	DB1	H/L	Data bus
8	DB0	H/L	Data bus
9	E1	H	Enable signal 1
10	R/W	H/L	Read/Write
11	RS	H/L	Data/Command
12	Vo	-	Power supply for LCD
13	Vss	-	Power supply (GND)
14	VDD	-	Power supply
15	E2	H	Enable signal 2
16	NC	-	No connect
17	A	-	LED+
18	K	-	LED-

6, BACKLIGHT CHARACTERISTICS

Item	Symbol	Min.	Typ.	Max.	Condition
Forward Voltage (V)	Vf		4.1	4.4	If=500 mA
Luminous (cd/m ²)	IV		120		
Color		Yellow-Green			