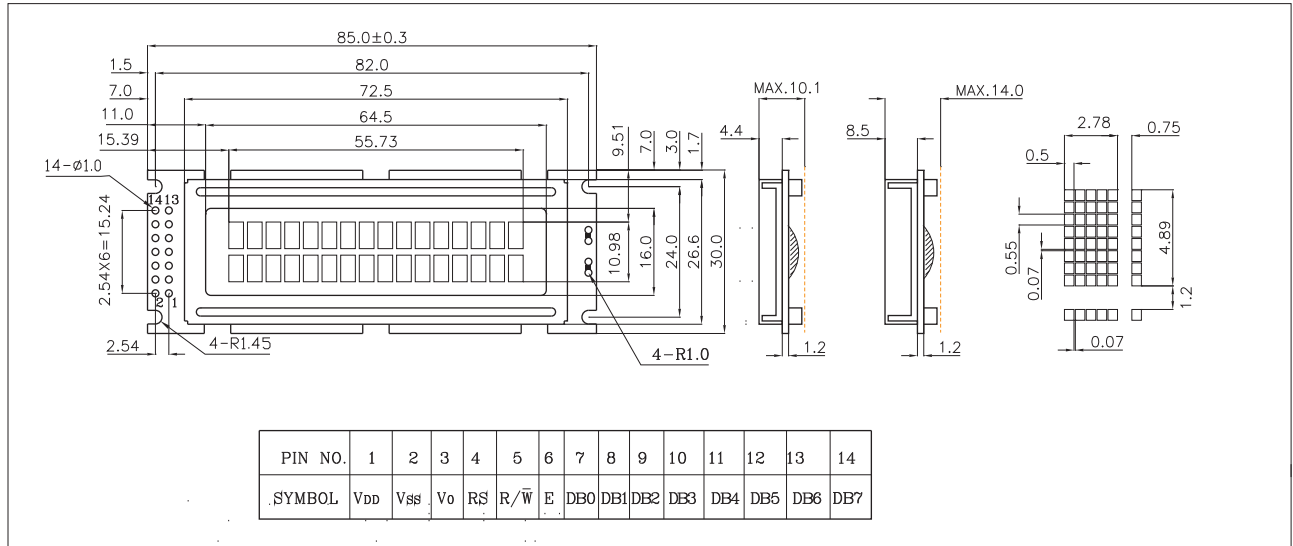
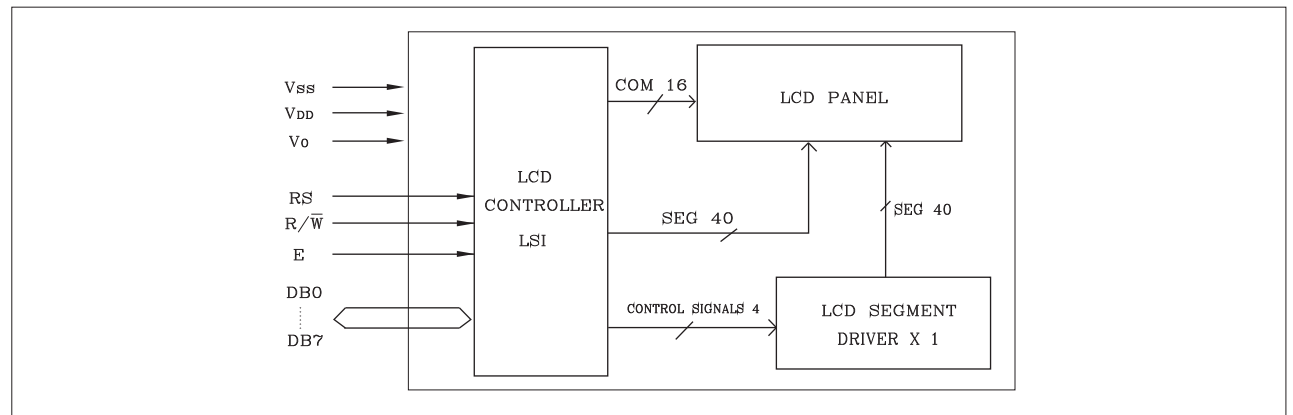


(16 characters X 2 lines)

1.0 DIMENSIONAL DRAWING



2.0 BLOCK DIAGRAM



3.0 MECHANICAL SPECIFICATIONS

Item	Nominal Dimensions	Unit
Module Size (W X H X T1/T2)	85.0 X 30.0 X 10.1/14.0	mm
Viewing Area (W X H)	64.5 X 16.0	mm
Character Pitch (W X H)	3.53 X 6.09	mm
Character Size (W X H)	2.78 X 4.89	mm
Character Font	5 X 8 DOTS	-
Dot Pitch (W X H)	0.57 X 0.62	mm
Dot Size (W X H)	0.50 X 0.55	mm

4.0 ELECTRICAL CHARACTERISTICS (T_a=25 °C, V_{DD} = 5.0V±0.25V)

Item	Symbol	Test Condition	Standard Value			Unit	
			Min.	Typ.	Max.		
Input High Voltage	V _{IH}	-	2.2	-	V _{DD}	V	
Input Low Voltage	V _{IL}	-	-0.3	-	0.6	V	
Output High Voltage	V _{OH}	-I _{OH} = 0.2mA	2.4	-	-	V	
Output Low Voltage	V _{OL}	I _{oL} = 1.2mA	-	-	0.4	V	
Supply Current	I _{DD}	V _{DD} = 5.0V	-	2.0	3.0	mA	
Operating Voltage for LCD	V _{DD} - V _O	T _a = 25 °C	(STN)	-	5.0	-	V
			(TN)	-	-	-	V