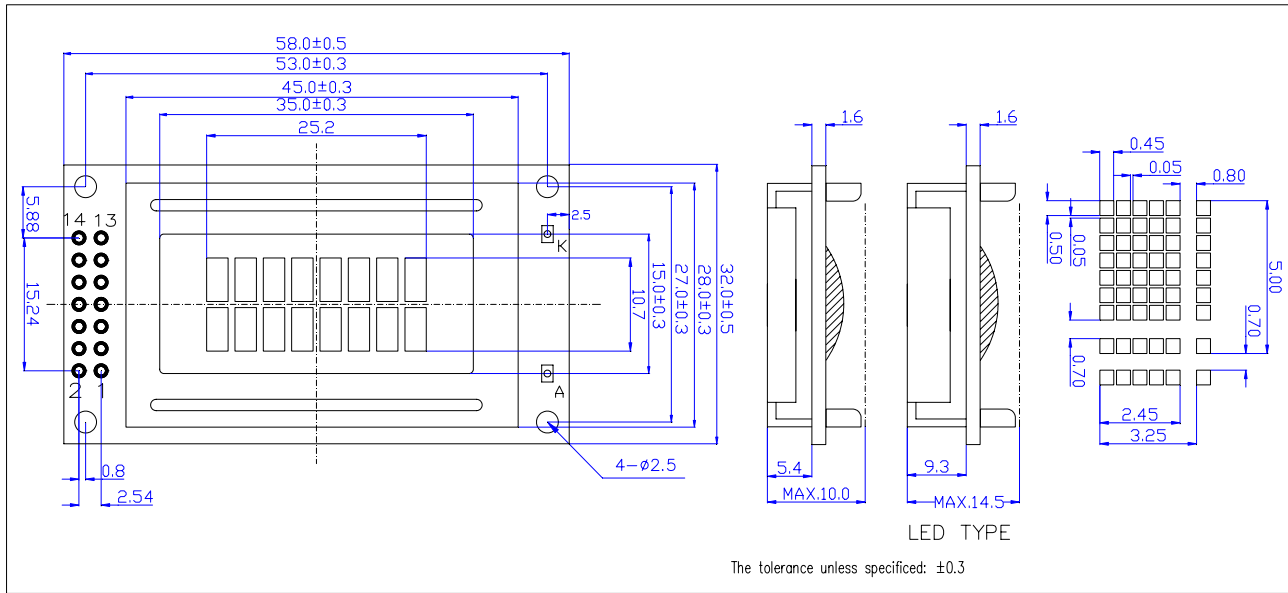
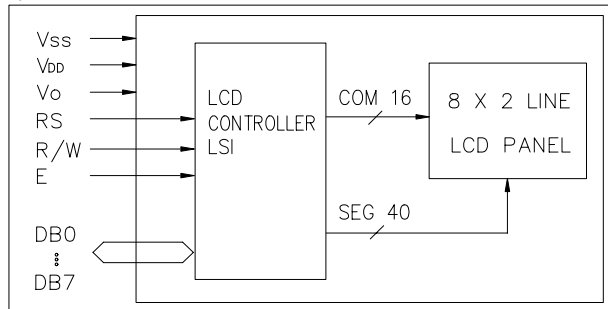


1, OUTLINE DRAWING



2, BLOCK DIAGRAM



3, DISPLAY CHARACTERISTICS

LCD Display mode	STN-Transflective-Positive-Y/G
Driving method	1/16duty, 1/5 bias
Backlight	LED BOTTOM Y/G

4, ELECTRICAL CHARACTERISTICS

Item	Symbol	Min.	Typ.	Max.
Logic Power Supply Voltage(V)	VDD		5.0	
Input Voltage(V)	Vih	0.7VDD		VDD
Output Voltage(V)	Vil	0		0.6
LCD Driving Voltage(V)	Vlcd		5.0	

5, TERMINAL FUNCTIONS

Pin	Name	Level	Functions
1	VSS	-	Power supply (GND)
2	VDD	-	Power supply
3	Vo	-	Power supply for LCD
4	RS	H/L	Data/Command
5	R/W	L	Read/Write
6	E	L	Enable signal
7-14	D0-D7	H/L	Data bus

6, BACKLIGHT CHARACTERISTICS

Item	Symbol	Min.	Typ.	Max.	Condition
Forward Voltage (V)	Vf		4.1	4.3	If= 60 mA
Luminous (cd/m ²)	IV		120		
Color		Yellow-Green			