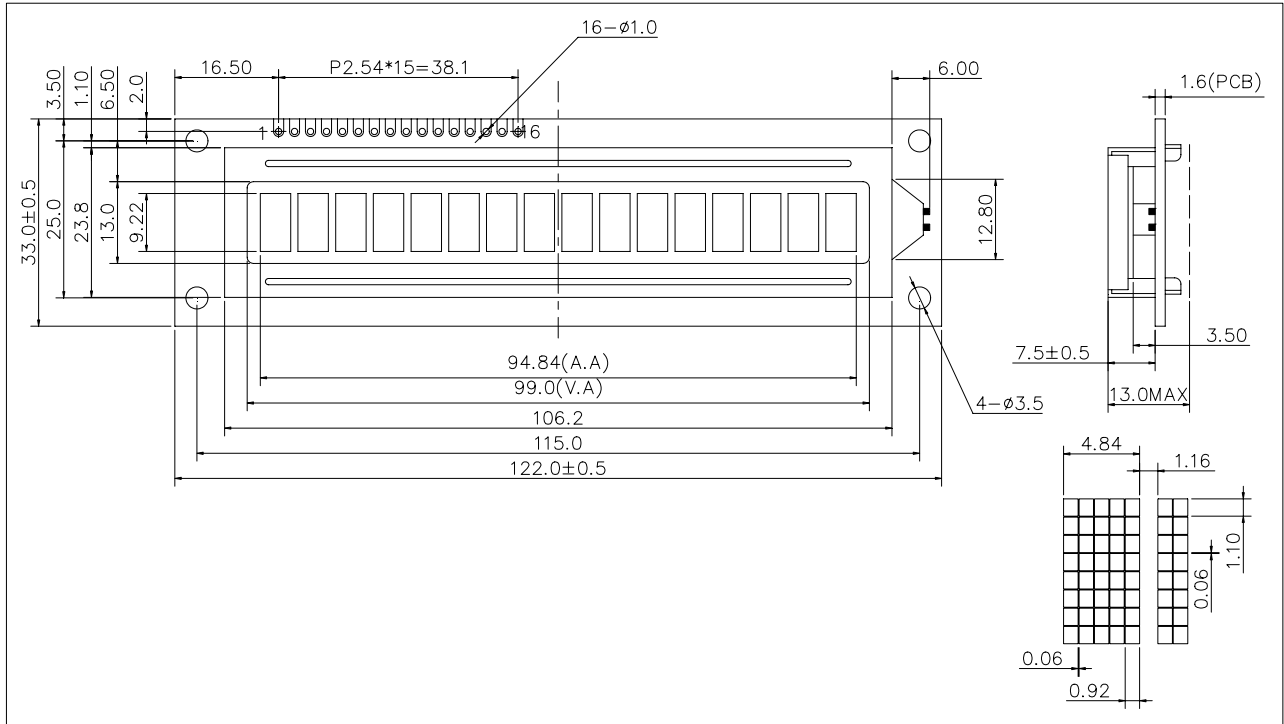
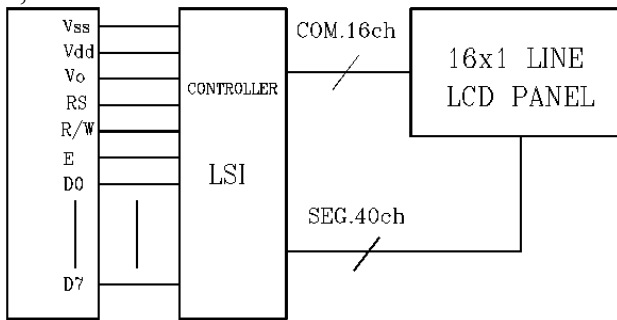


## 1, OUTLINE DRAWING



## 2, BLOCK DIAGRAM



## 3, DISPLAY CHARACTERISTICS

LCD Display mode	STN-Transflective-Positive-Y/G
Driving method	1/16duty, 1/5 bias
Backlight	LED

## 4, ELECTRICAL CHARACTERISTICS

Item	Symbol	Min.	Typ.	Max.
Logic Power Supply Voltage(V)	V <sub>DD</sub>		5.0	
Input Voltage(V)	V <sub>IH</sub>	0.7V <sub>DD</sub>		V <sub>DD</sub>
Output Voltage(V)	V <sub>IL</sub>	0		0.3V <sub>DD</sub>
LCD Driving Voltage(V)	V <sub>lcd</sub>		4.5	

## 5, TERMINAL FUNCTIONS

Pin	Name	Level	Functions
1	VSS	-	Power supply (GND)
2	VDD	-	Power supply
3	Vo	-	Power supply for LCD
4	RS	H/L	Data/Command
5	R/W	L	Read/Write
6	E	L	Enable signal
7-14	D0-D7	H/L	Data bus
15	LED+	-	Power supply for LED B/L
16	LED-	-	Power supply for LED B/L

## 6, BACKLIGHT CHARACTERISTICS

Item	Symbol	Min.	Typ.	Max.	Condition
Forward Current (mA)	I <sub>f</sub>		12		V <sub>f</sub> = 5 V
Luminous (cd/m <sup>2</sup> )	IV		240		
Color			Green		