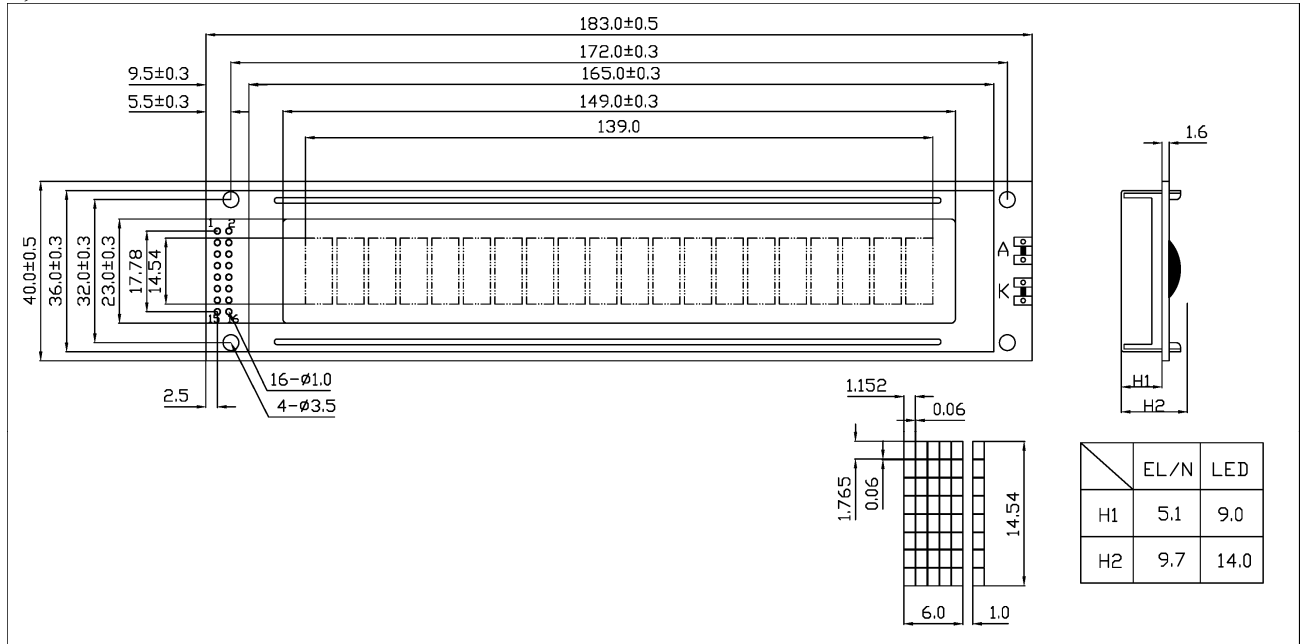
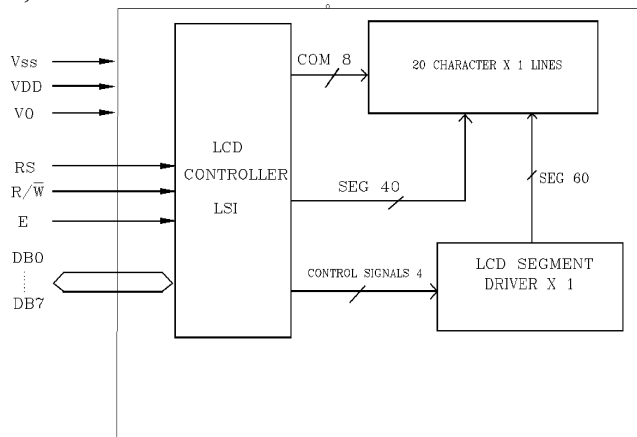


1, OUTLINE DRAWING



2, BLOCK DIAGRAM



3, DISPLAY CHARACTERISTICS

| | |
|------------------|--------------------------------|
| LCD Display mode | STN-Transflective-Positive-Y/G |
| Driving method | 1/8duty, 1/4 bias |
| Backlight | LED Bottom Y/G |

4, ELECTRICAL CHARACTERISTICS

| Item | Symbol | Min. | Typ. | Max. |
|-------------------------------|------------------|--------------------|------|--------------------|
| Logic Power Supply Voltage(V) | V _{DD} | | 5.0 | |
| Input Voltage(V) | V _{ih} | 0.7V _{DD} | | V _{DD} |
| Output Voltage(V) | V _{il} | 0 | | 0.3V _{DD} |
| LCD Driving Voltage(V) | V _{lcd} | | 4.5 | |

5, TERMINAL FUNCTIONS

| Pin | Name | Level | Functions |
|------|----------------|-------|--------------------------|
| 1 | VSS | - | Power supply (GND) |
| 2 | VDD | - | Power supply |
| 3 | V _o | - | Power supply for LCD |
| 4 | RS | H/L | Data/Command |
| 5 | R/W | L | Read/Write |
| 6 | E | L | Enable signal |
| 7-14 | D0-D7 | H/L | Data bus |
| 15 | LED+ | - | Power supply for LED B/L |
| 16 | LED- | - | Power supply for LED B/L |

6, BACKLIGHT CHARACTERISTICS

| Item | Symbol | Min. | Typ. | Max. | Condition |
|-------------------------------|----------------|------|--------------|------|------------------------|
| Forward Voltage (V) | V _f | | 4.1 | 4.4 | I _f =360 mA |
| Luminous (cd/m ²) | IV | | 100 | | |
| Color | | | Yellow-Green | | |